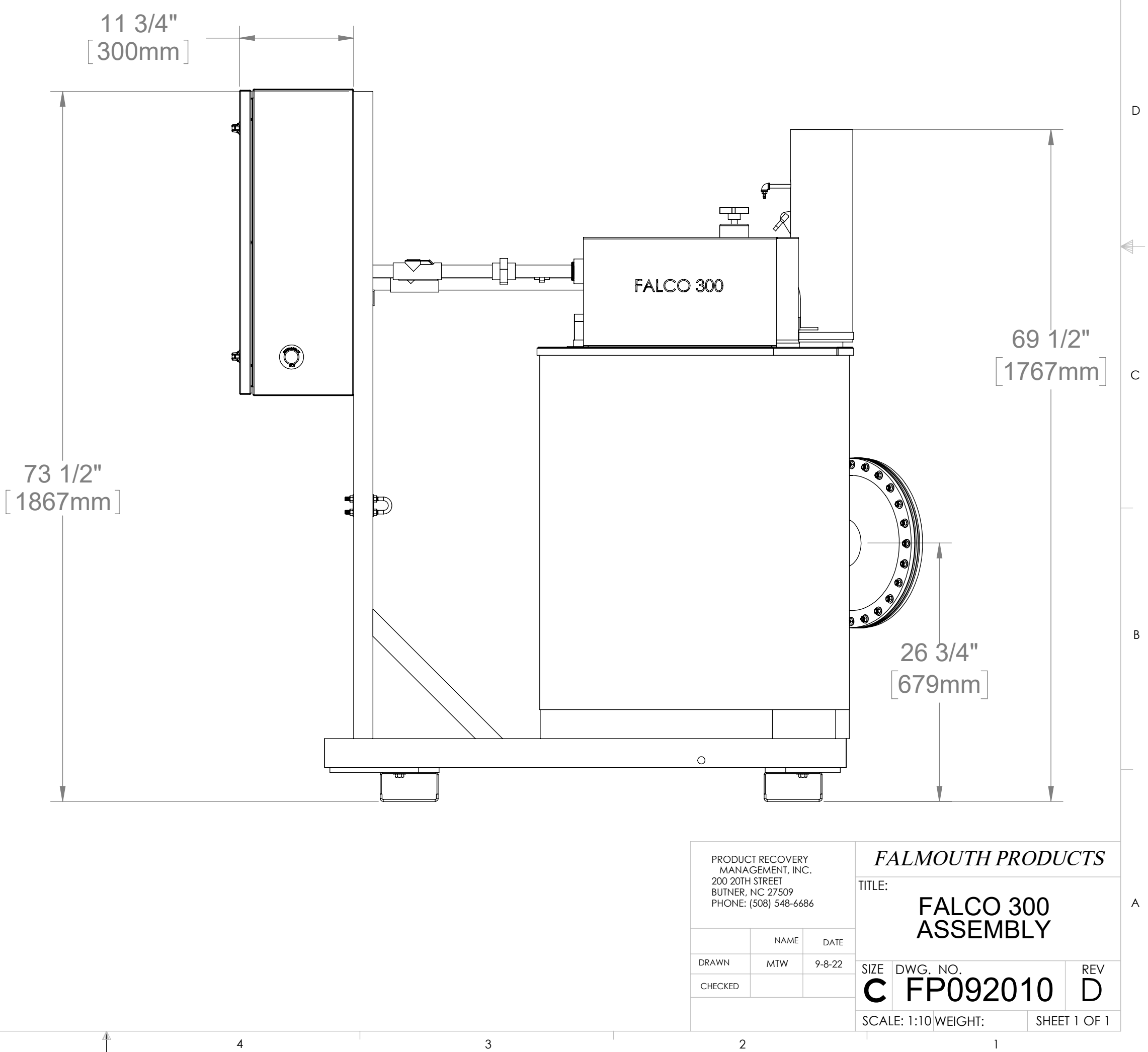
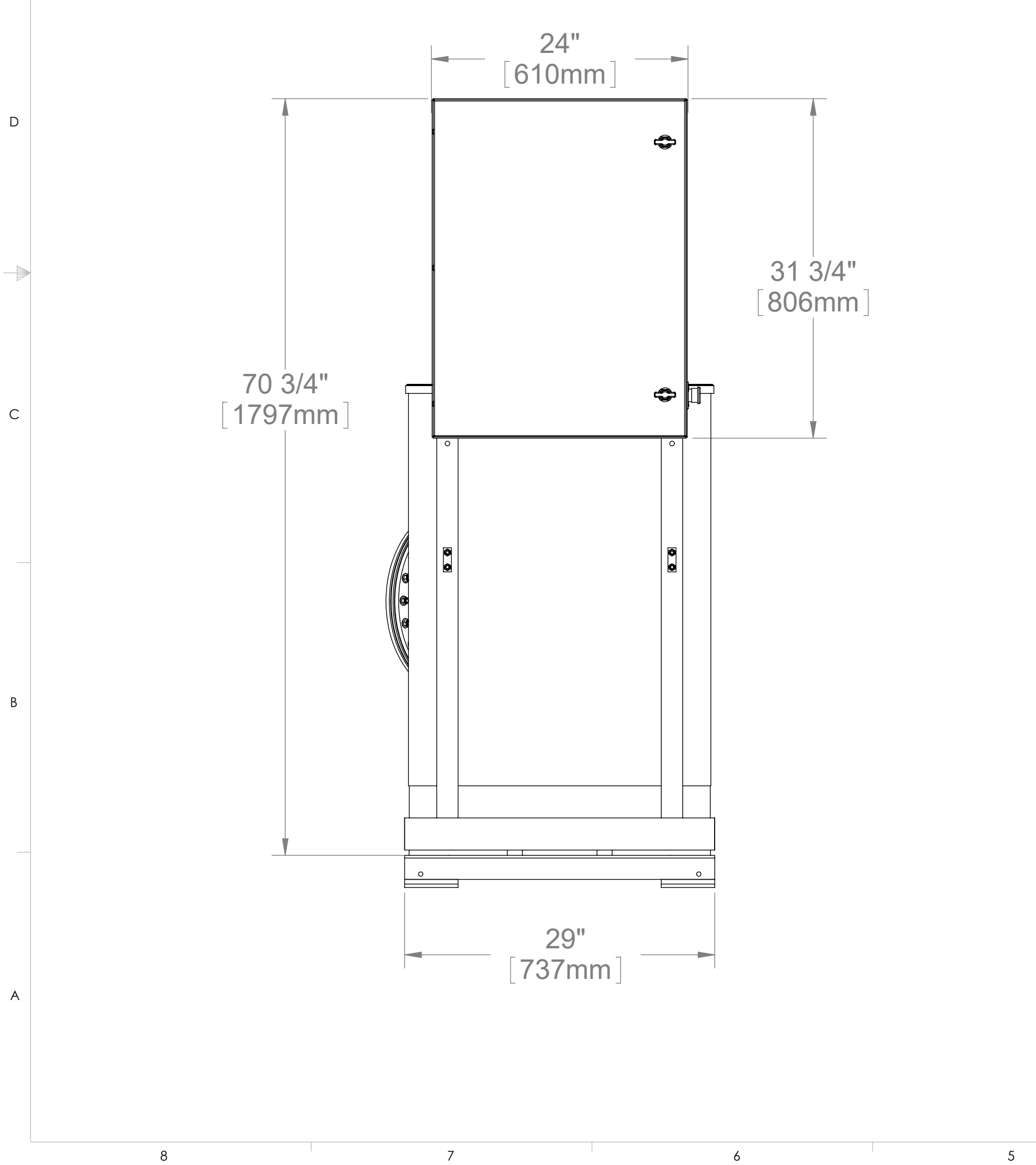
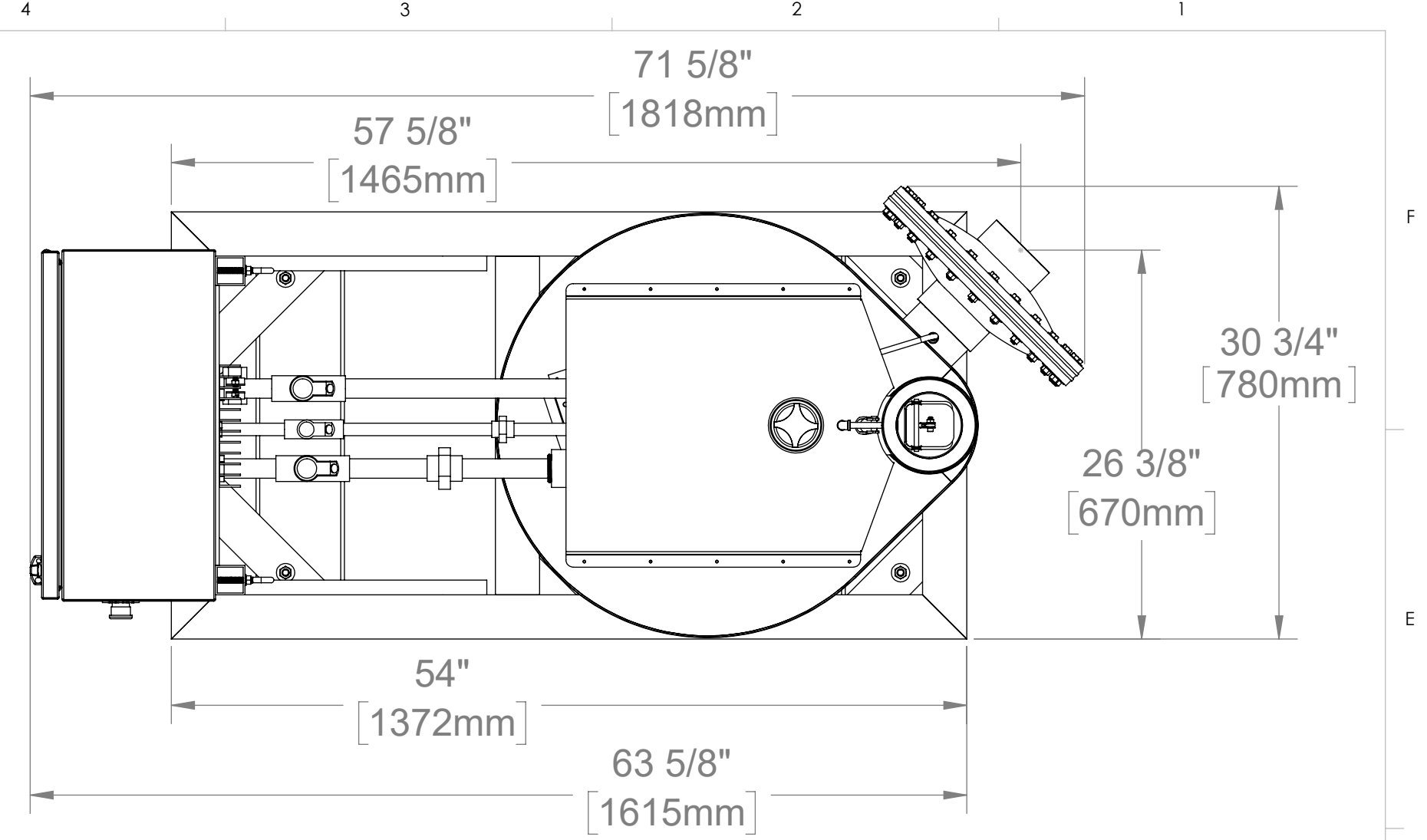


**BOTTOM VIEW - ANCHOR HOLE LOCATIONS**

4X  $\phi$  9/16"  
[14mm]  
ANCHOR HOLES



PRODUCT RECOVERY MANAGEMENT, INC. 200 20TH STREET BUTNER, NC 27509 PHONE: (508) 548-6686		<b>FALMOUTH PRODUCTS</b>	
		TITLE: <b>FALCO 300 ASSEMBLY</b>	
NAME	DATE	SIZE	DWG. NO.
DRAWN MTW	9-8-22	<b>C</b>	<b>FP092010</b>
CHECKED		REV	<b>D</b>
SCALE: 1:10		WEIGHT: SHEET 1 OF 1	