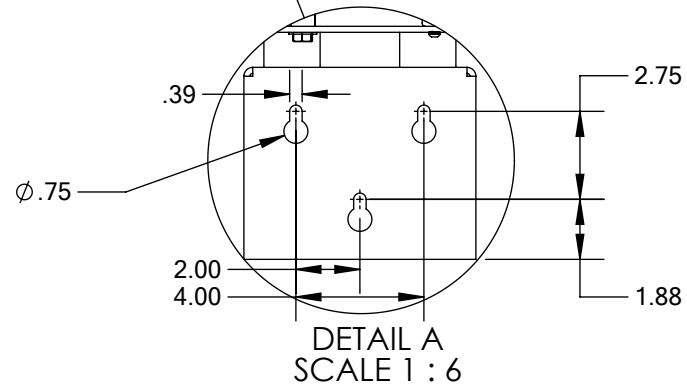


(Mounting Bracket removed)



FALMOUTH PRODUCTS
530 THOMAS LANDERS RD
FALMOUTH, MA 02536
PHONE: 508-548-6686
FAX: 508-548-8144

FALMOUTH PRODUCTS

FALCO 600 VCV

	NAME	DATE
DRAWN	MTW	12/27/2018
CHECKED		

SIZE	DWG. NO.	REV.
A	FP09201201	D
SCALE:1:12	WEIGHT:	SHEET 1 OF 1