

FIGURE 1B: FALCO 300 with VFD - Major Components

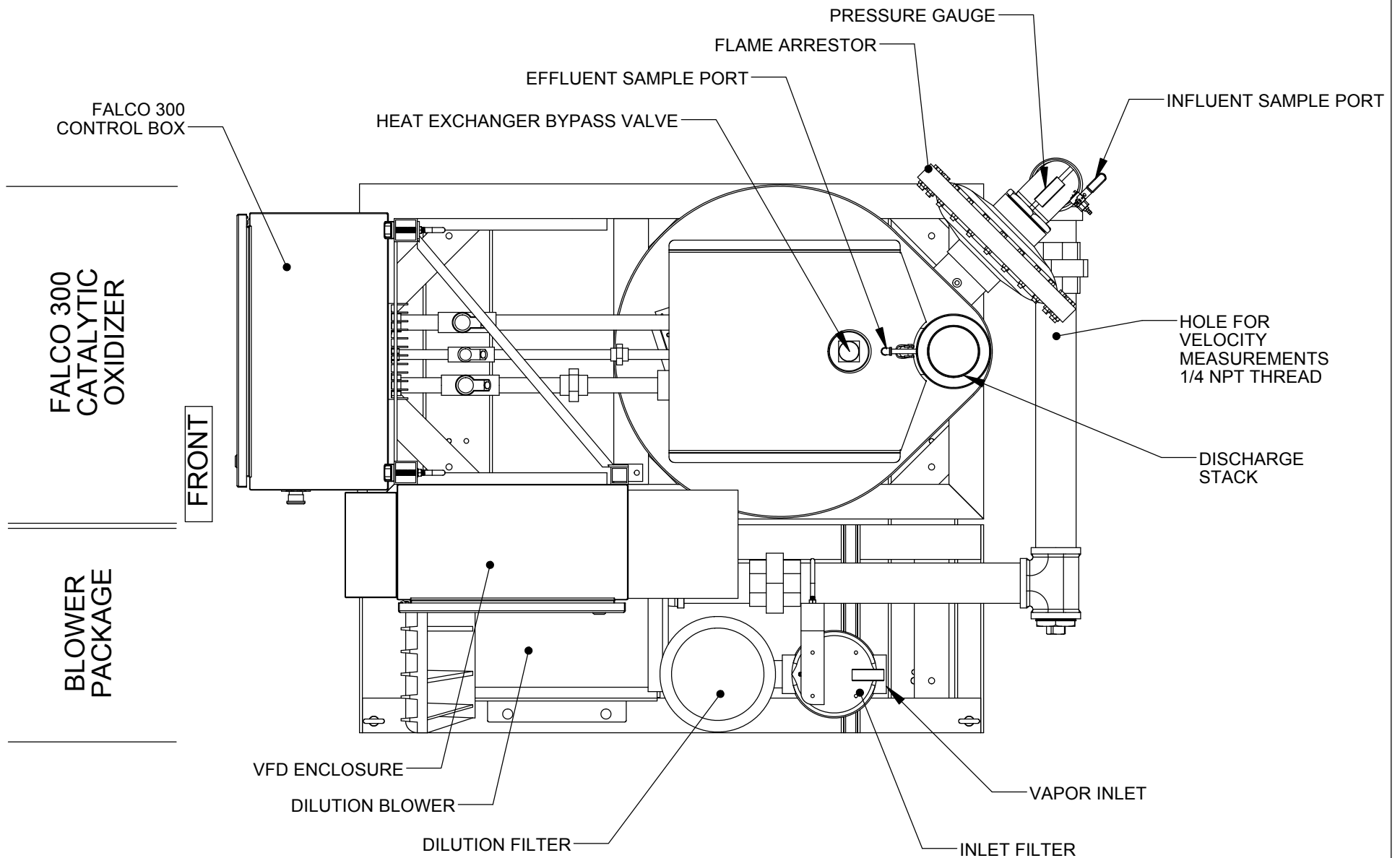


Figure 2B: FALCO 300 with VFD - Top View