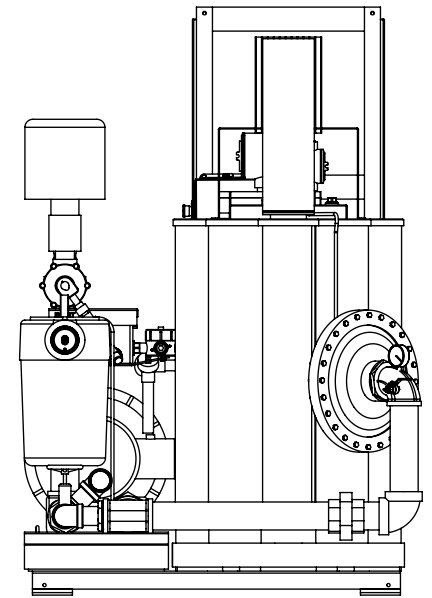
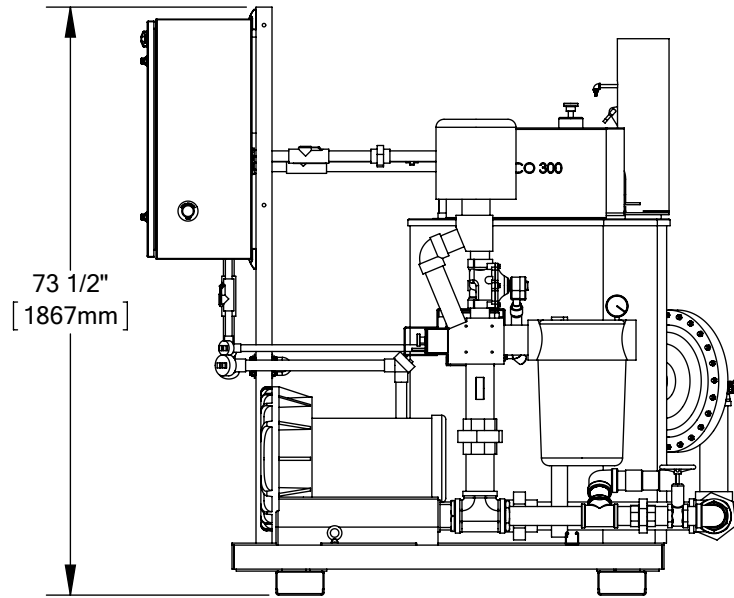
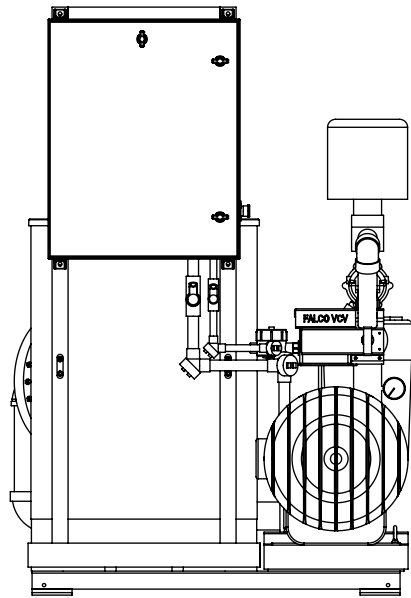
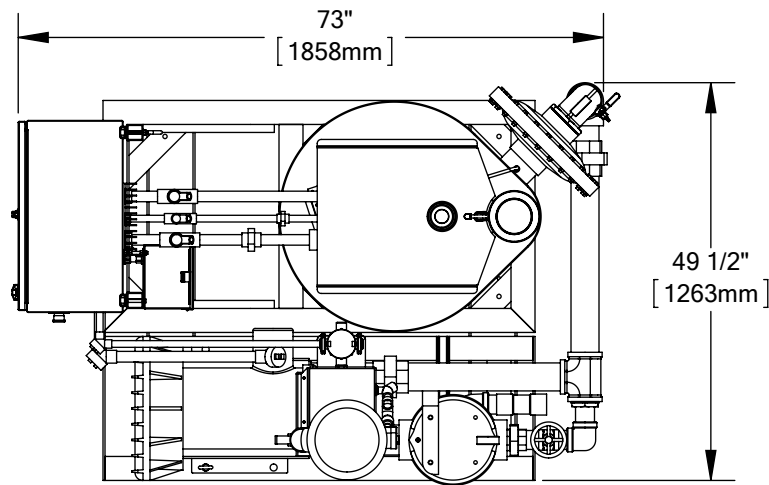


VIEW FROM BOTTOM OF UNIT



FALMOUTH PRODUCTS
530 THOMAS LANDERS RD
FALMOUTH, MA 02574
PHONE: 508-548-6686
FAX: 508-548-8144

FALMOUTH PRODUCTS

**FALCO 300 - 10 HP
BLOWER PACKAGE**

	NAME	DATE
DRAWN	MW	4-7-15
CHECKED		

SIZE	DWG. NO.	REV.
A	FP04181101	B

DIMENSIONS ARE IN INCHES

SCALE: 1:24 WEIGHT:

SHEET 1 OF 1